

## DOT 100x17 N SUPERFAST

## DOT 100x25 N SUPERFAST

### DESKTOP · DOT PEEN MARKING

- Microdot marking station, autonomous, with height and **maximum speed adjustment**. Especially designed for companies with a wide **variety of small-sized parts**.

### ADVANTAGES

- **Maximum marking speed**, for all kinds of materials and hardnesses up to 62HRC.
- Its **easy-to-disassemble** protective system **reduces maintenance times**.
- Maximum reliability, **uninterrupted productions and reduced maintenance costs**.
- Highly robust and long-lasting, thanks to the high quality of its components.
- **Versatility in the size of the pieces to be marked**, thanks to regulation up to 250 mm in height, so you can mark everything from thin sheets to large pieces, including fastening.
- T-slot to facilitate **tool placement**.
- Possibility of anchoring the table to a surface for **greater stability**.
- Machined work surface, guaranteeing **precision** in marking.
- Circular connector to facilitate assembly and disassembly.
- COUTH brand is backlit with two-colour LED, providing **visual identification of the marking machine's status**.

### CHARACTERISTICS

- 100 by 17 mm marking area.
- 100 by 25 mm marking area.
- Speed up to 16 characters/second.
- Hardness of materials to mark up to 62HRC.
- 6-bar air pressure.
- Table for placing tools and plate stand.
- Column with **height regulation** up to 250 mm
- Different head types, depending on marking needs: pneumatic (N7SB, N14SB, N20SB) and electric (S2, S6).
- Protection system that is **easy to assemble and disassemble**.
- 2.5-metre robotics wire  
Other lengths: 5, 10 and 15 metres.
- Protection system option.
- Connection with **COUTHsmartbox** control for integration into production lines (see technical specifications for more information).
- PC edition programme.
  - **COUTHvector**, logotype creation.
  - **COUTHedit**, marking file creation.
  - **COUTHmonitor**, machine status monitoring.
- **COUTHlink**. Library to facilitate connectivity between COUTHsmartbox and the production line PLC.



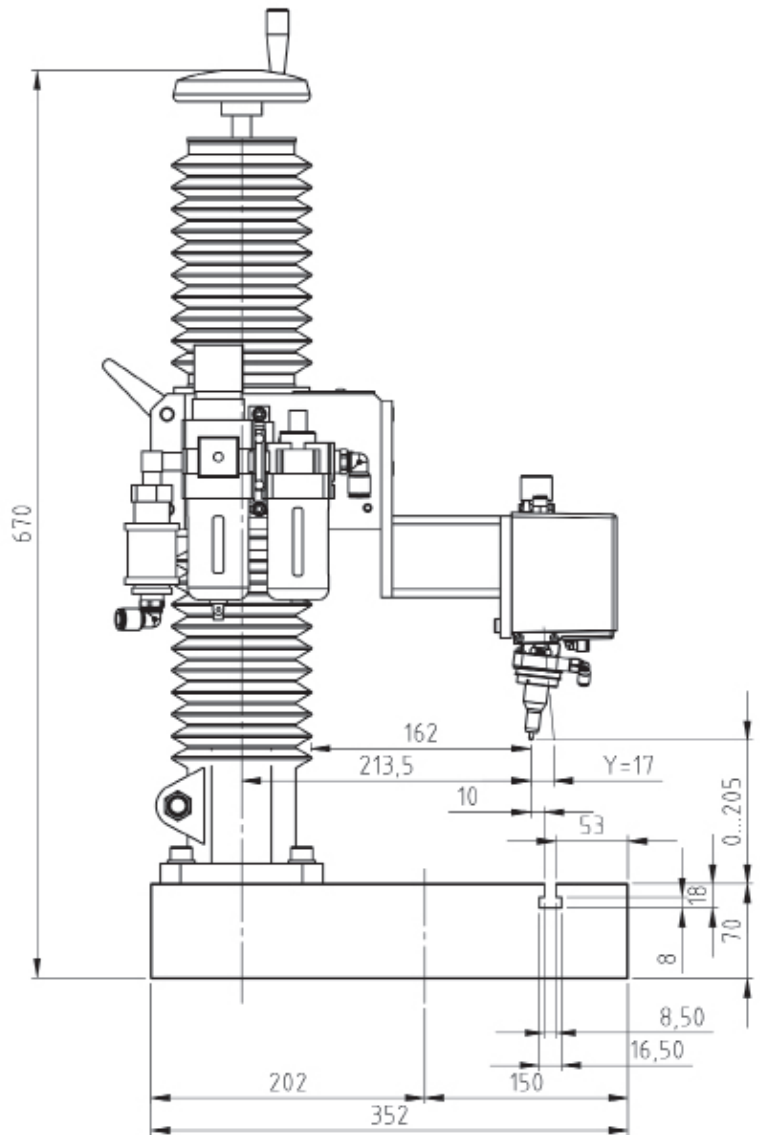
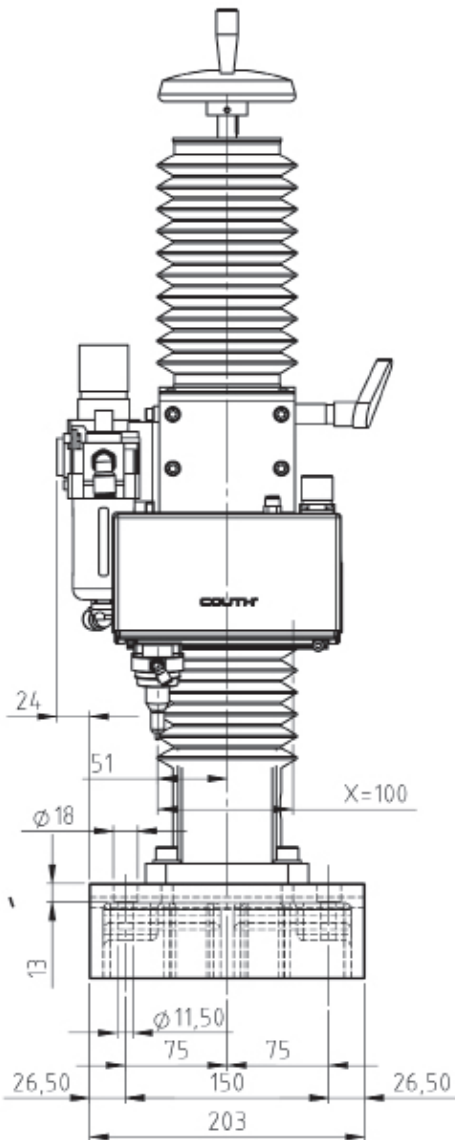
**DOT 100x17 N  
SUPERFAST**

**DOT 100x25 N  
SUPERFAST**

**DESKTOP · DOT PEEN MARKING**

## DIMENSIONS

**DOT 100X17 N**



**DOT 100x17 N  
SUPERFAST**

**DOT 100x25 N  
SUPERFAST**

**DESKTOP · DOT PEEN MARKING**

**DIMENSIONS**

**DOT 100X25 N**

